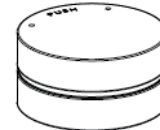


### Features

- Brass construction
- Leak-free ceramic disc valve(s)
- Durable KOHLER finishes resist corrosion and tarnishing
- Flexible G1/2" supply hoses for easy installation
- Unique handle actuation
- Coordinate with your choice of Components spout for a personalized design (spout sold separately)
- Metal mounting hardware assures a secure installation
- Includes water-tight seal plate allowing for sealant free installation
- Robust, easy-access mounting hardware assures a secure installation and hassle-free maintenance

## ROCKER REMOTE HANDLE 77963T-8ADR



### Codes/Applicable Standards

Specified model meets or exceeds the following

- AS NZS 3718-2005

### Installation Notes

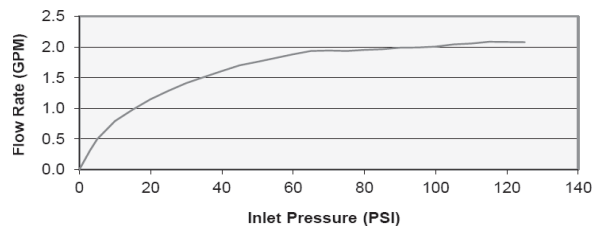
Install this product according to the installation guide.

### Specified Models

SKU	Description	Color/Finish
77963T-8ADR	Components Rocker Remote Handle	CP: Polished Chrome, BN: Brushed Nickel, BL: Matte Black*

Note: For a full range of color finishes in your market please contact your local Kohler representative.

\*BL launch date to be announced, CP & BN available now



Flow Curve

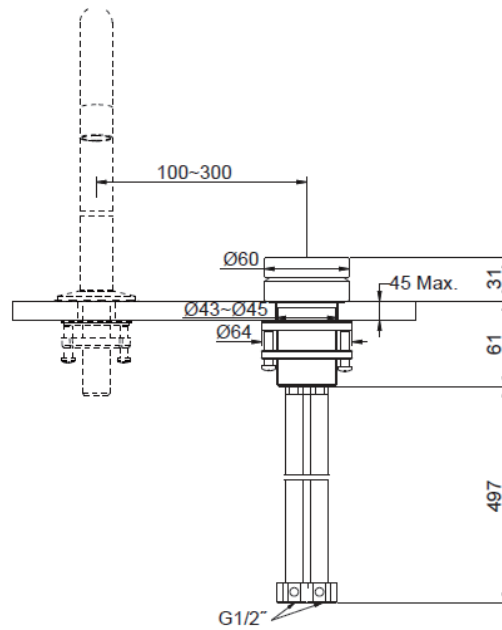
Note: Flow rates are approximate (1gallon = 3.785liters, 1 bar = 14.5psi)

### Required Accessories

77967T-ND	Components Basin Spout - Tube	CP: Polished Chrome, BN: Brushed Nickel, BL: Matte Black*
77968T-ND	Components Basin Spout - Ribbon	CP: Polished Chrome, BN: Brushed Nickel, BL: Matte Black*
26151T	Components Deck Mount Bath Spout - Ribbon	CP: Polished Chrome, BN: Brushed Nickel, BL: Matte Black*
22959T	Components Deck Mount Bath Spout - Tube	CP: Polished Chrome, BN: Brushed Nickel, BL: Matte Black*

### Product Diagram

Dimensions are approximate  
unit: mm



77963T-8ADR