

Product

- Purist shower or bath mixer - Thin - Without diverter
- Purist shower and bath mixer - Thin - With diverter

Kohler Code

- 25552A-CP
- 25553A-CP



Included Components

- In wall valve
- Trim kit

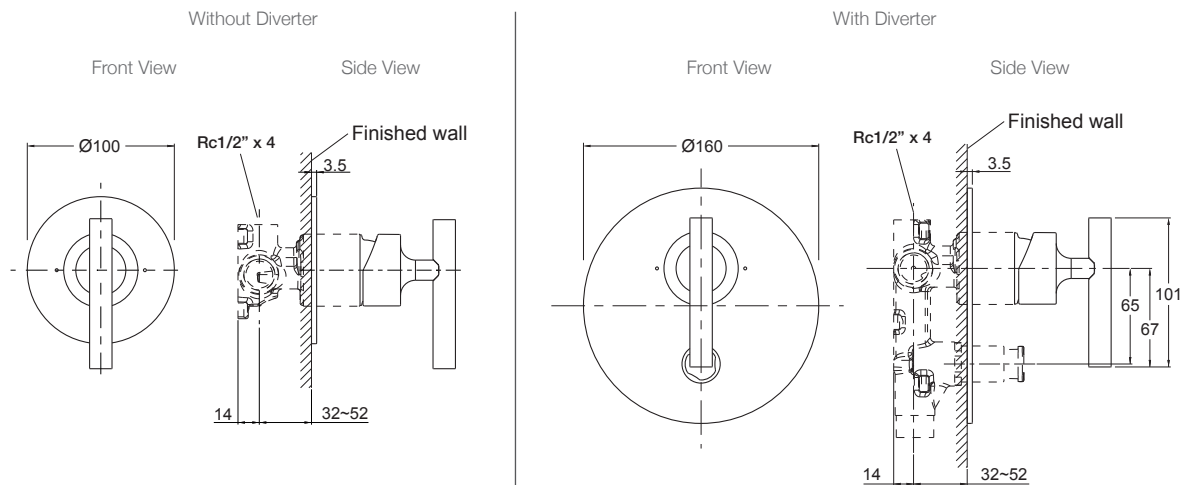
Features

- Diverter version allows water to be delivered through a bath spout or shower.
- Polished chrome
- Metal construction
- 40mm ceramic disc valve
- Suitable for mains pressure
- KOHLER finishes resist tarnishing and corrosion

Related Products

- Purist accessories
- Purist tapware

Technical Details



Installation Notes:

- Rc1/2" female inlets and outlets.
- Default diverter setting is for bottom outlet (Bath). Pull diverter knob for top outlet (Shower).
- Optimum working pressure 300-500 kPa.
- Maximum hydrostatic pressure 800 kPa (This pressure may be exceeded only under test conditions).
- Maximum working temperature 60°C.
- Where normal working pressure exceeds the maximum, pressure limiting valves should be installed.
- For optimum installation it is important that the valve is installed plumb on both horizontal and vertical planes.
- Inline filters should be used to protect tapware from debris that may be present within the plumbing.