

Product

- Avid® shower or bath mixer only - 40mm
- Avid® shower and bath mixer with diverter - 40mm

Kohler Code

77921A*
77919A*



NOTE: Polished Chrome versions shown

Included Components

- In wall valve
- Trim kit

Features

- Diverter version allows water to be delivered through a bath spout or shower
- Polished Chrome or PVD Titanium finish
- Metal construction
- Ceramic disc cartridge
- Suitable for mains pressure
- KOHLER finishes resist tarnishing and corrosion

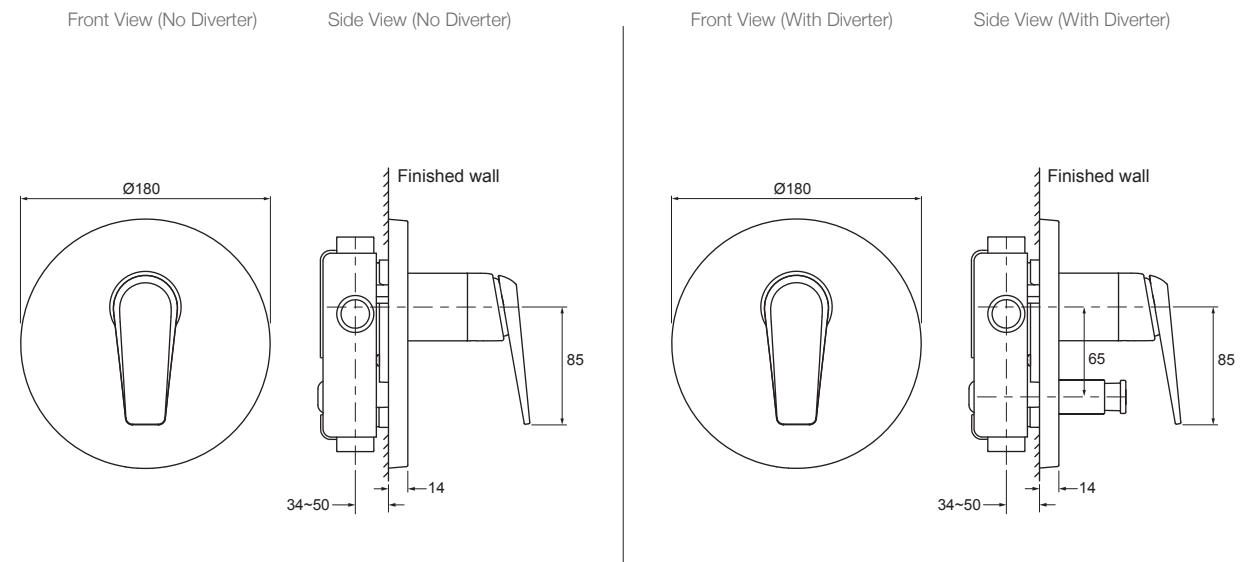
Finish Options (Colour swatches indicative only)

- 77921A-CP - Polished Chrome
- 77919A-CP - Polished Chrome
- 77921A-TT - PVD Titanium
- 77919A-TT - PVD Titanium

Related Products

- Avid accessories
- Avid tapware

Technical Details



Installation Notes:

- Rc 1/2" female inlets.
- Optimum working pressure 300-500 kPa.
- Maximum hydrostatic pressure 800kPa. (This pressure may be exceeded only under test conditions).
- Maximum temperature 80°C.
- Where normal working pressure exceeds the maximum, pressure limiting valves should be installed.
- For optimum installation it is important that the valve is installed plumb on both horizontal and vertical planes.
- Inline filters should be used to protect tapware from debris that may be present within the plumbing.