

Product

- Avid® bath set with lever handles

Kohler Code

97363T-4E*



NOTE: Polished Chrome version shown


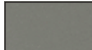
Included Components

- Concealed breach piece

Features

- Polished Chrome or PVD Titanium finish
- Metal construction
- 1/4 turn ceramic disc cartridges
- Suitable for mains pressure
- KOHLER finishes resist tarnishing and corrosion

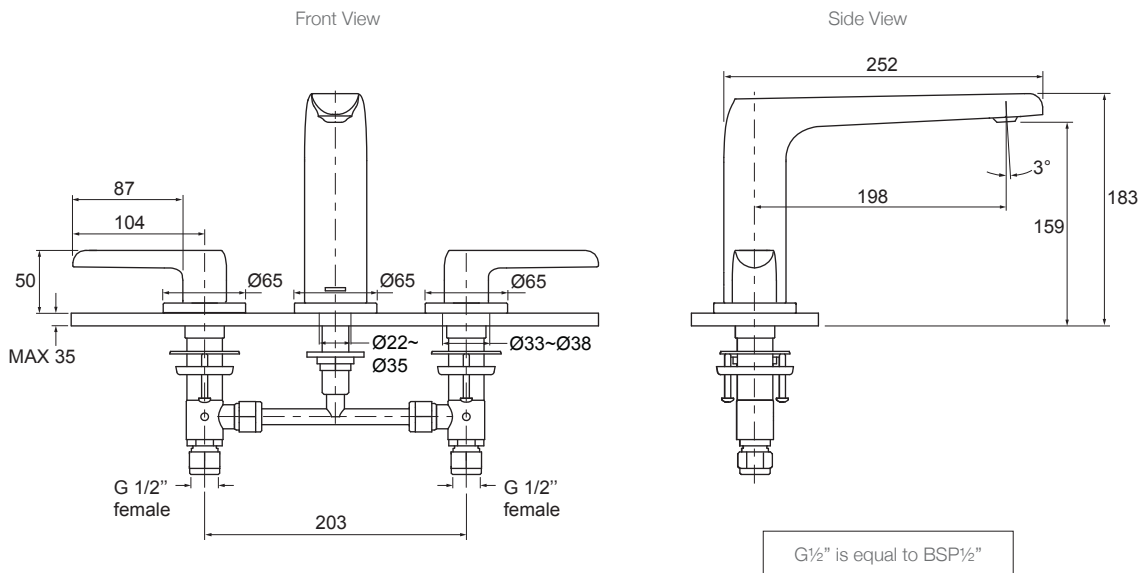
Finish Options (Colour swatches indicative only)

-  97363T-4E-CP - Polished Chrome
-  97363T-4E-TT - PVD Titanium

Related Products

- Avid accessories
- Avid tapware

Technical Details



Installation Notes:

- G1/2" female inlets.
- Optimum working pressure 300-500 kPa.
- Maximum hydrostatic pressure 800 kPa (This pressure may be exceeded only under test conditions).
- Maximum temperature 80°C.
- Maximum bench thickness is 35mm.
- Where normal working pressure exceeds the maximum, pressure limiting valves should be installed.
- Inline filters should be used to protect tapware from debris that may be present within the plumbing.