

## INSTALLATION INSTRUCTIONS

### 1474449 Power Adapter

#### BEFORE YOU BEGIN

All information is based on the latest product information available at the time of publication. Kohler Co. reserves the right to make changes in product characteristics, packaging, or availability at any time without notice. Please leave these instructions for the consumer. They contain important information.

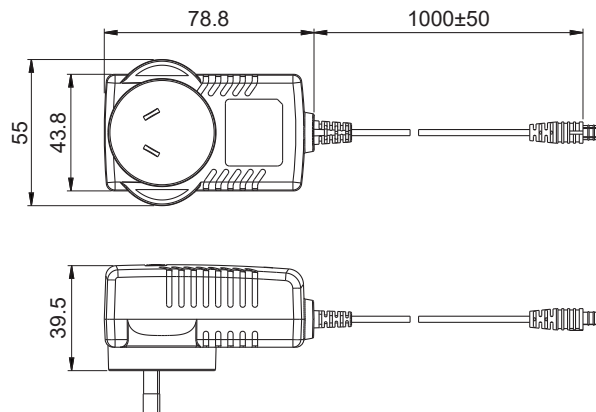
**NOTE:**

1. For indoor use or do not expose in water. Do not immerse in water.
2. Never operate this adapter if the specification is out of the rating.
3. Do not short the polarity (output cord).
4. Do not operate any appliance which has a damaged output cord or housing.
5. This adapter should be used with valve box 1441909.

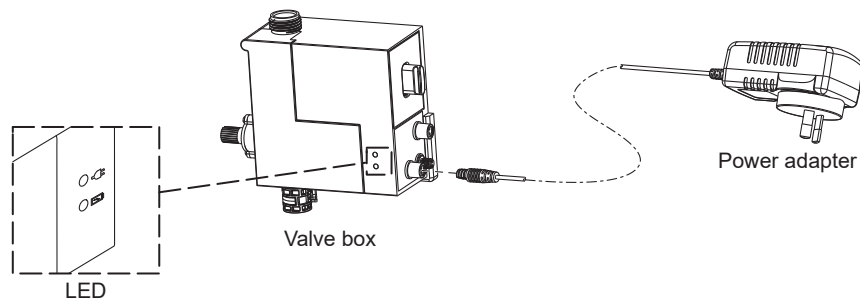
#### SPECIFICATIONS

Ambient temperature	Ambient humidity	Input	Output	Certification
0°C~40°C	20°C~90°C	100V~240V, 50/60Hz, 1.0A	9V $\overline{=}$ 2.0A	SAA/RCM/GEMS/EMC

#### ROUGH-IN DIMENSIONS



#### INSTALLATION



Connect the power adapter to the valve box as shown, and then connect the power adapter to the power socket. When the LED on the valve box is green, which indicates that the power supply is connected.

**NOTE:** Disconnect the supply before breaking connections of the power adapter and valve box.