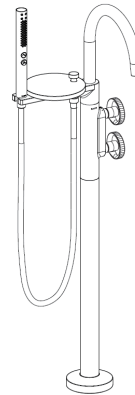


Features

- Solid metal construction
- Brass construction
- DZR brass construction
- Leak-free ceramic disc valve(s)
- Durable KOHLER finishes resist corrosion and tarnishing
- Concealed, easy-clean aerator and key
- Industrial handle(s)
- 244 mm spout reach
- Metal mounting hardware assures a secure installation
- G 1/2" thread connection(s)
- Includes handshower and diverter

FREESTANDING SHOWER OR BATH FAUCET WITH HANDSHOWER

77984T-9E



Codes/Applicable Standards

Specified model meets or exceeds the following

- AS NZS 3718-2005
- AS NZS 6400-2016 (Wels [enter rating here] Star)

Installation Notes

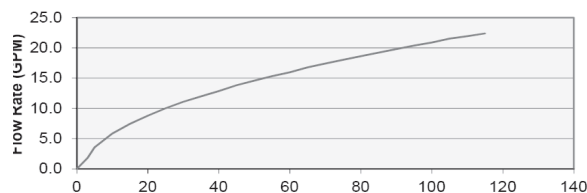
Install this product according to the installation guide.

Specified Models

SKU	Description	Color/Finish
77984T-9E	Components Freestanding Shower or Bath Faucet with Handshower	CP: Polished Chrome, BN: Brushed Nickel, BL: Matte Black*

Note: For a full range of color finishes in your market please contact your local Kohler representative.

*BL launch date to be announced, CP & BN available now

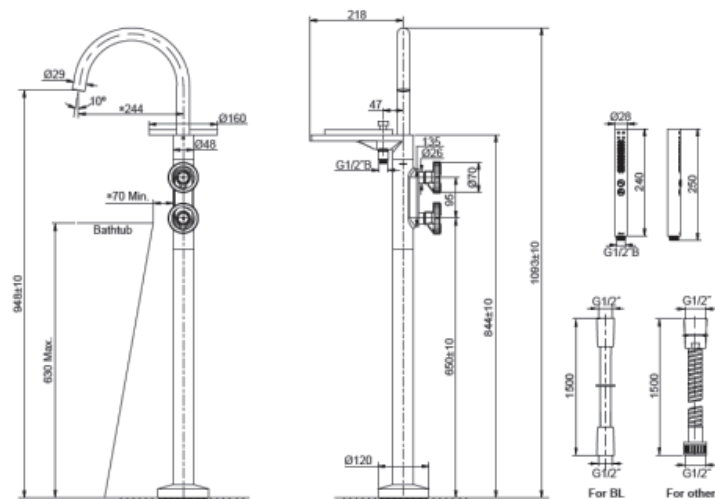


Flow Curve

Note: Flow rates are approximate (1gallon = 3.785liters, 1 bar = 14.5psi)

Product Diagram

Dimensions are approximate unit: mm



77984T-9E