

550mm

800mm

This template is designed to be printed at 1:1 scale on A1 paper.

Ensure this page is printed at 100% size (i.e: no scaling).

For reference, this border should measure 550x800mm.

(A) Ensure that this back edge does not interfere with the cistern.

1/2" Water Inlet (underneath)

Water Filter (underneath)

(B) The centre of the fixing holes on the toilet pan should be within these two rectangles.

240V Power Cord (underneath)



Bidet Seat Features & Benefits:

- With Control Panel or With Remote
- Simple installation
- Retrofit to existing toilets
- Quiet-Close seat with quick release
- Stainless steel wand for cleansing
- Oscillating & normal spray functions
- 1.5m power cord
- Heated seat
- Heated water reservoir
- Heated air dryer
- Deodoriser function
- Turbo cleanse mode
- Water pressure booster
- Self-cleaning nozzle
- Power-saving economy mode Ionic water filter

- With Remote only
- Automatic opening/closing lid for cleaner control.
- Backlit easy-touch remote control with LCD screen: can be wall-mounted.

NEWZEALAND
KOHLEARNZLTD
Free Ph: 0800 100382
Free Fax: 0800 664 488
www.engefield.co.nz

AUSTRALIA
KOHLECO.
Free Ph: 1 800 ENGLEFIELD
(1 800 364 533)
www.engefield.com

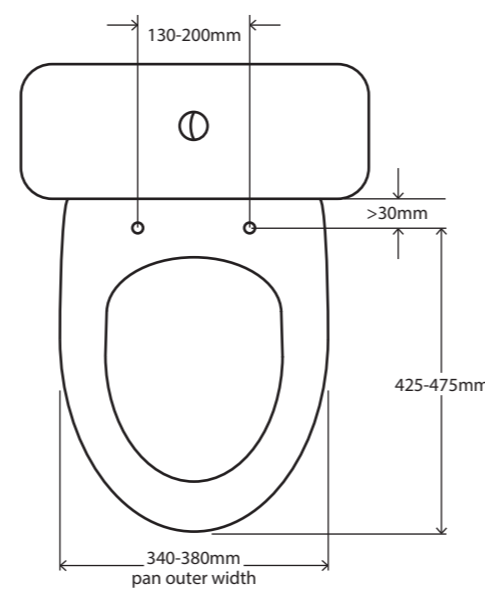
ELECTRONIC BIDET SEAT

With Control Panel:
99286A-0 (New Zealand)
99286A-N-0 (Australia)

With Remote:
31258A-0 (New Zealand)
31258A-N-0 (Australia)

PRELIMINARY CHECK INSTRUCTIONS

- 1) Take measurements from the toilet pan. The existing toilet seat may need to be removed if there is restricted access to the following dimensions:
 - Seat fixing holes (centre to centre).
 - Distance between the cistern to the centre of the seat fixing holes.
 - Distance between the centre of the seat fixing holes to the front of the pan.



- 2) If the resulting measurements comply with the above diagram, the Englefield Bidet Seat is a likely match. Proceed to removing the existing seat and fitting this trail template.

TEMPLATE INSTRUCTIONS

- 1) Carefully remove the existing seat from the toilet pan.
- 2) Place the template on the pan, this face up, ensuring that the back edge of the outline (A) is away from the cistern.
- 3) Locate the fixing holes inside the cut-outs (B).
- 4) Reposition the template so the bumpers (C) are mostly covering the rim of the pan and the front edge of the template (D) is over hanging the rim by 0-10mm. If the overhang is too great, it may result in reduced comfort when using the seat.
- 5) Take note of the power and water inlet locations:
 - Supplied water inlet hose is 0.5m in length.
 - Supplied power cord is 1.5m in length.
 - RCD power outlet is required (not supplied).

DISCLAIMER
For hygiene reasons we cannot accept product returned due to non-compatible installs. This template is to help confirm the suitability of the Englefield Electronic Bidet Seat prior to committing to a purchase. If conditions (A), (B), (C) and (D) are all met simultaneously, the Englefield Electronic Bidet Seat should be a matching fit. Although every attempt has been made to keep all information up-to-date, Englefield reserves the right to implement product changes without further notice.

(C) This is where the bumpers are located on the underside of the bidet seat. All four should be positioned over the rim of the pan.

(D) These edges should, ideally, not overhang the pan rim by more than 10mm.

Control Panel

No Control Panel (with remote)

SKU: 1259511-A07-B Aug 2016